

Feature Operation

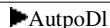
Auto Dial			
store	AutoDial		▶AutoDial
use		AutoDI	
display	Disply	AutoDI	
Hold			
place a call on hold			
return to a held call			
Transfer			
Trans		▶Trans	
Handsfree (if configured)			
activate			
switch to handset			
handset to handsfree			
Mute (On/Off)			
Conference			
Conf		▶Conf	
Corporate Directory			
Shift			
Last Number Redial			
Ring Again			
activate	RngAgn		
when notified		▶RngAg	
Quit	▶RngAg		
Call Forward			
activate	FWD		▶FWD
Quit	▶FWD		
reinstate	FWD	▶FWD	
view number	Disply	▶FWD	
Call Pickup			
	Pickup		
Call Waitingpc			
answer		▶CWT	
return to first call			
Message			
Directory			

Explanations

Legend	
	Lift the handset, or press the DN key, or press the Handsfree key.
	Replace handset, or press to end the call.
	Dial a number.



Press the line (DN) key.



The ▶ flashes when a feature is being programmed. The ▶ lights steadily when a feature is active.

Your i2002 Telephone Option Menu

Services Menu

Access the Services Menu

/ Select

The Services menu contains the Telephone Option, Virtual Office, and Branch Office menus (if Virtual Office and Branch Office have been configured for your telephone).

Telephone Option

Volume adjustment

Ringer	Select	/	Select	Quit	Quit
Handset Listen	Select	/	Select	Quit	Quit
Handsfree Listen	Select	/	Select	Quit	Quit
Headset Listen	Select	/	Select	Quit	Quit
Buzzer	Select	/	Select	Quit	Quit

Contrast adjustment

/ Select Quit

Language

/ Select Select Quit

Date/time format

/ Select Quit

Display diagnostics

/ Quit

Local Dialpad Tone

None Short Click DTMF

Ring type

/ Play Select Quit

OnHook Default Path

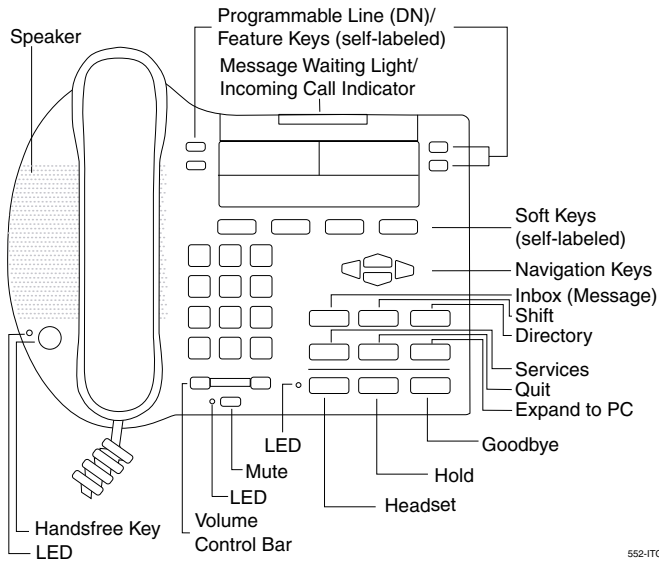
/ Select Quit

Set Feature Key label

Feature Key Enter new label
Select Delete Clear More..

For additional information on the operation of your internet telephone, please consult the *i2002 Internet Telephone User Guide*.

Introducing the i2002 Internet Telephone



552-ITG0010

NORTEL NETWORKS

i2002 Internet Telephone

For Meridian 1 and Succession
Communication Server for Enterprise 1000

Quick Reference Card

